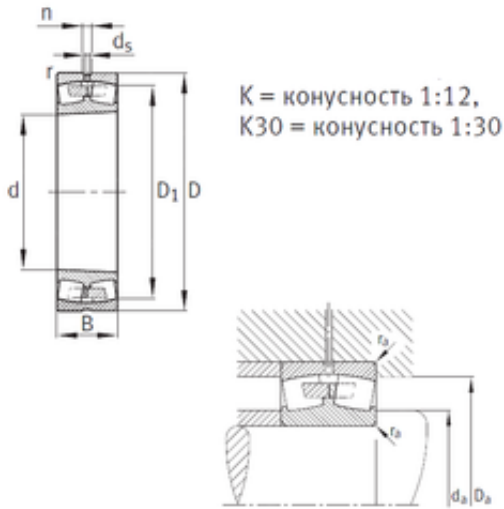




BEARING BOWER CORP.



K = конусность 1:12,
K30 = конусность 1:30

380 mm x 560 mm x 135 mm FAG 23076-B-K-MB Spherical Roller Bearings

Bearing No. 23076-B-K-MB

23076-B-K-MB Bearing 2D drawings and 3D CAD models

Size	380x560x135 mm
Bore Diameter	380 mm
Outer Diameter	560 mm
Width	135 mm
d	380 mm
D	560 mm
B	135 mm
C	135 mm
n	23,5 mm
r min.	5 mm
D1	505,6 mm
da min.	398 mm
Da max.	542 mm
ra max.	4 mm
d5	12,5 r/min
Weight	113 Kg
Basic dynamic load rating (C)	2550 kN
Basic static load rating (C0)	5300 kN
Fatigue load limit (Pu)	430
Reference speed	730 r/min
Limiting speed	900 r/min
Calculation factor (e)	0,24
Calculation factor (Y0)	2,78
Calculation factor (Y1)	2,84